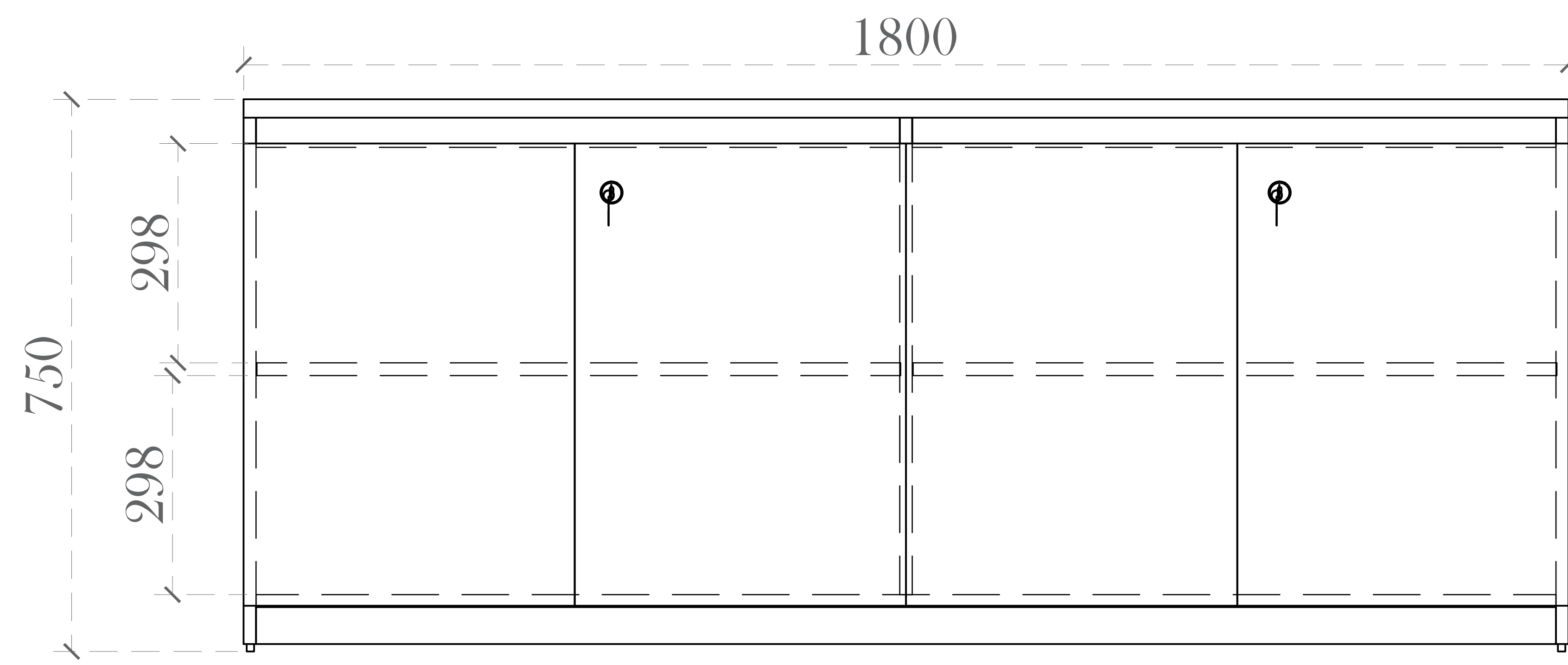


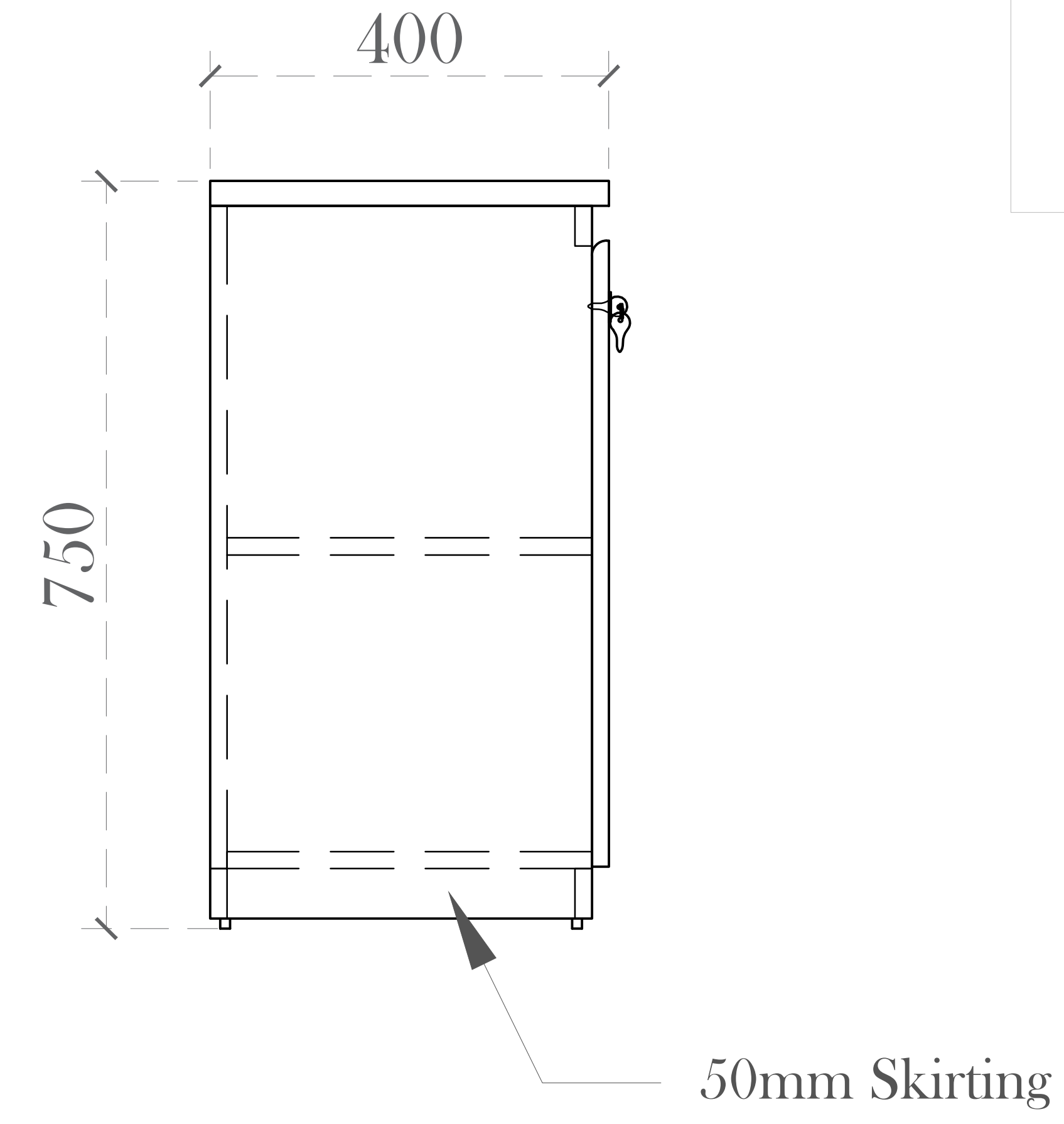
FIRST FLOOR

FRONT VIEW



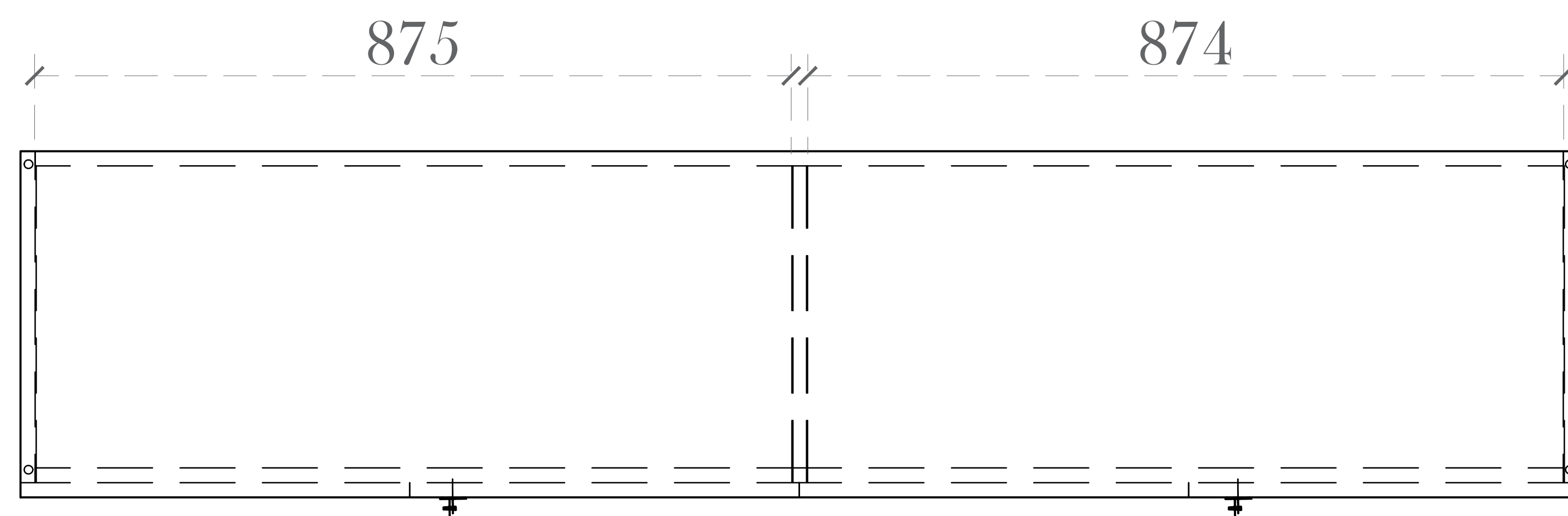
SECTION A

SIDE VIEW



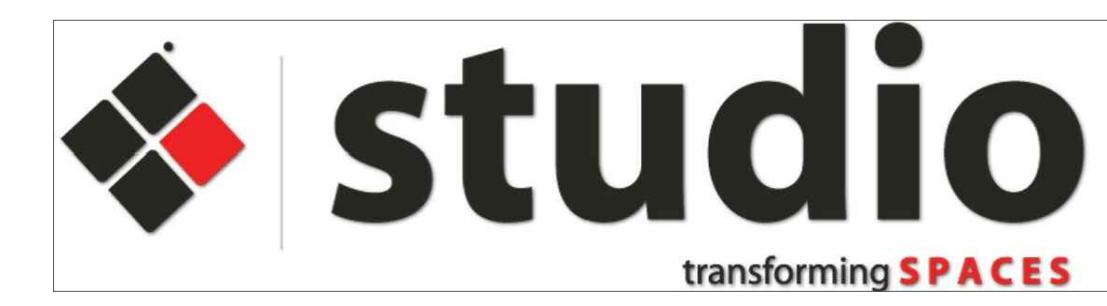
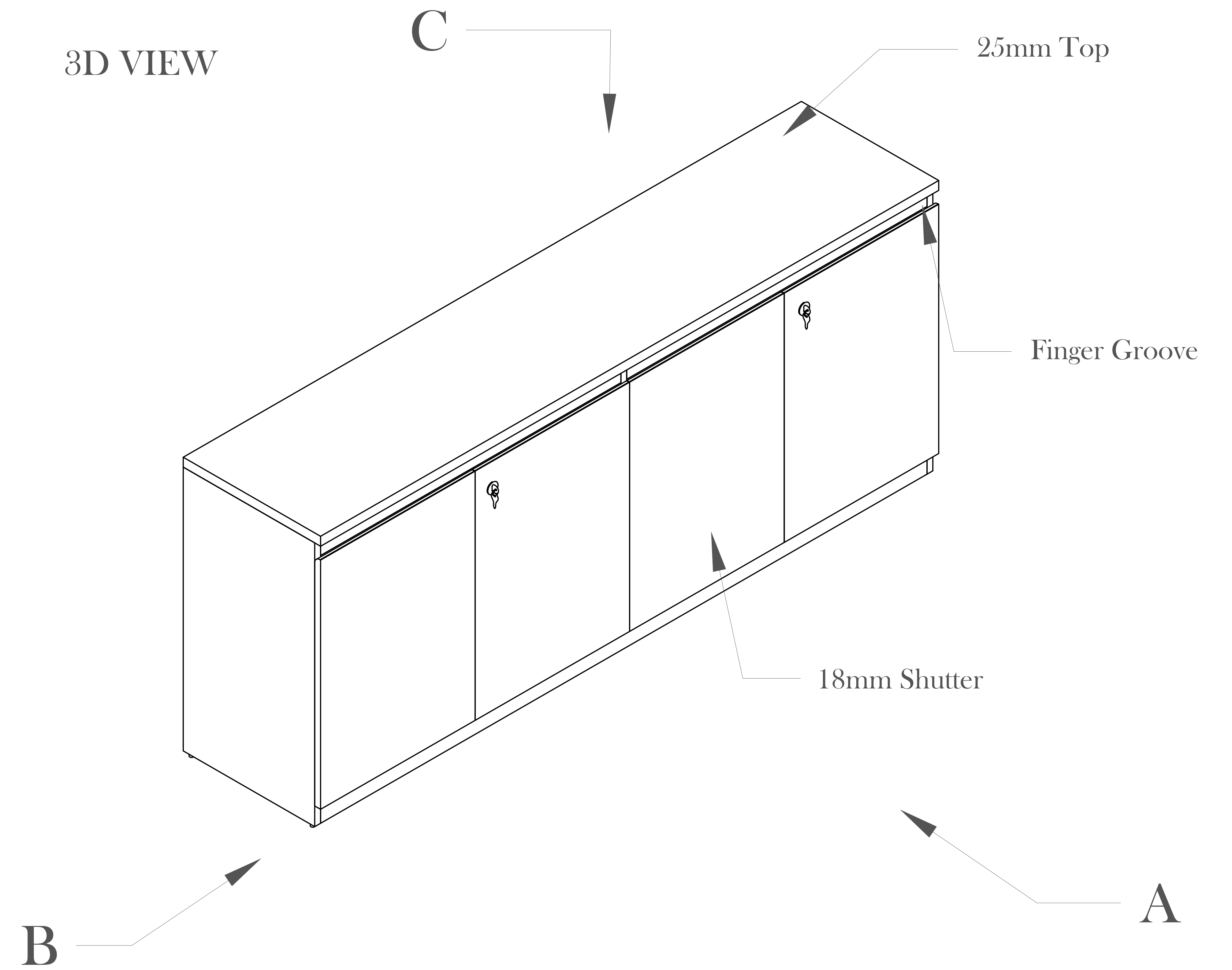
SECTION B

TOP VIEW



SECTION C

3D VIEW



Office Table Back Storage  
 Vener- VNR American Walnut  
 Hardware - Hettich/Hafele(Softclose)

QTY- 2 Sets